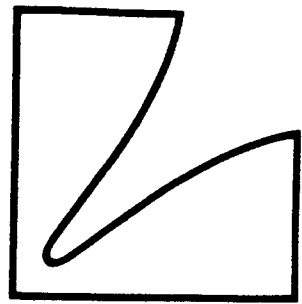
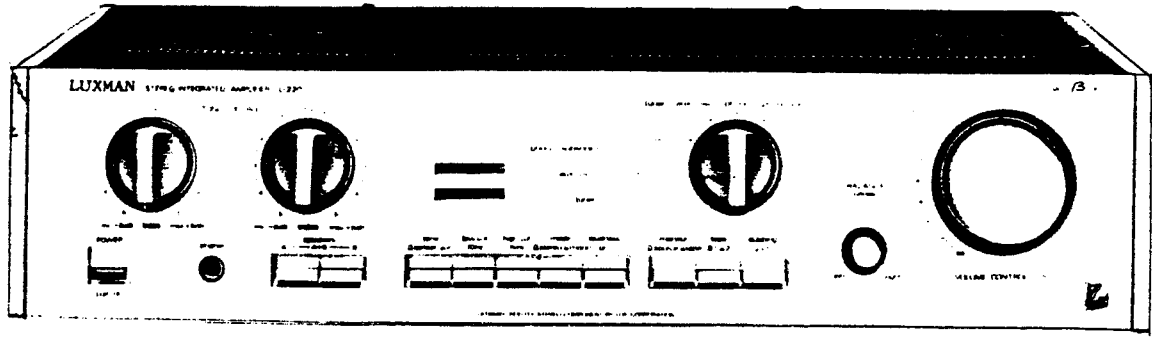


# SERVICE MANUAL



DUO-BETA CIRCUIT STEREO  
INTEGRATED AMPLIFIER

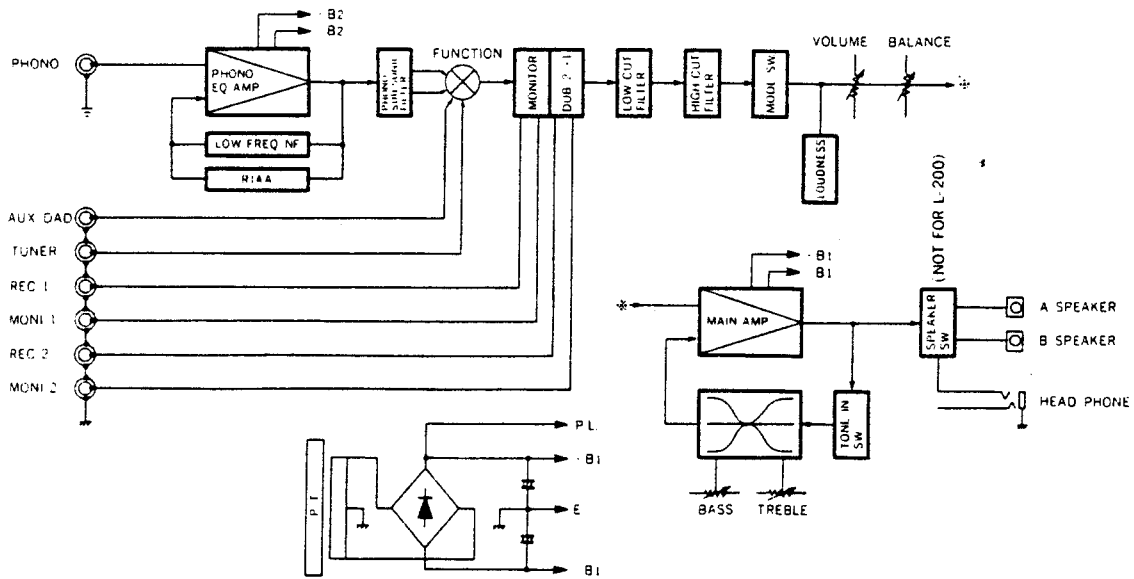
**L-200**  
**L-210**  
**L-220**



# CONTENTS

Block Diagram -----	1
Adjustment Procedure -----	2
Packing Material Parts List -----	2
Exploded Parts List -----	3 - 5
Pre Main AMP PCB Parts List -----	6 - 8
Tone Control PCB Parts List -----	8
Function SW PCB Parts List -----	8
VR Control PCB Parts List -----	9
HD Phone PCB Parts List -----	9
Balance Control PCB Parts List -----	9
Semiconductor Handling Guide -----	9
Schematic Diagram -----	10
Specifications -----	11

## Block Diagram

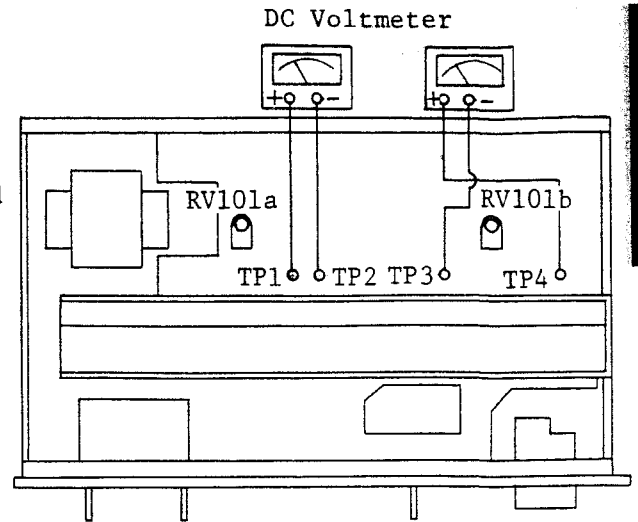


**L220/L-210/L-200**

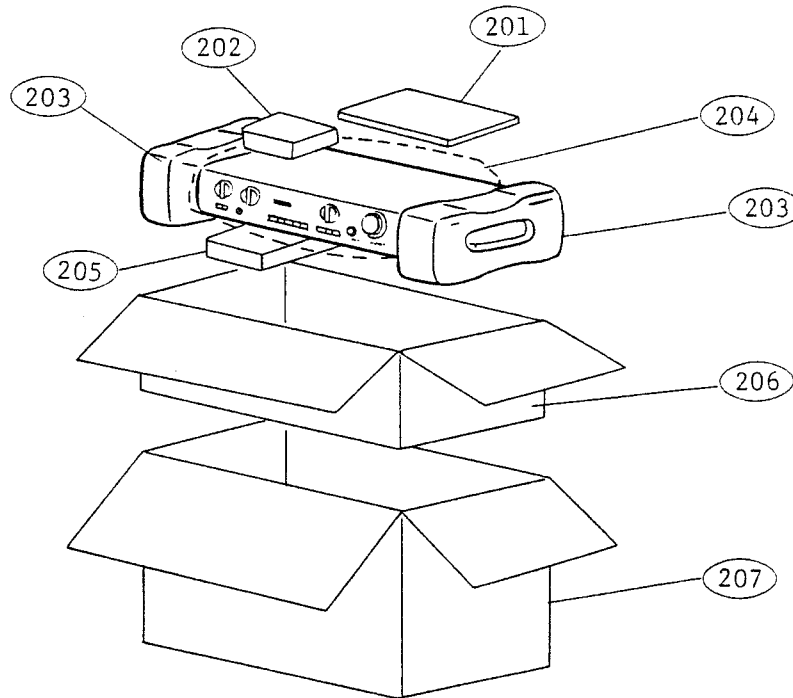
# Adjustment Procedure

## Bias (Idle) Current Adjustment

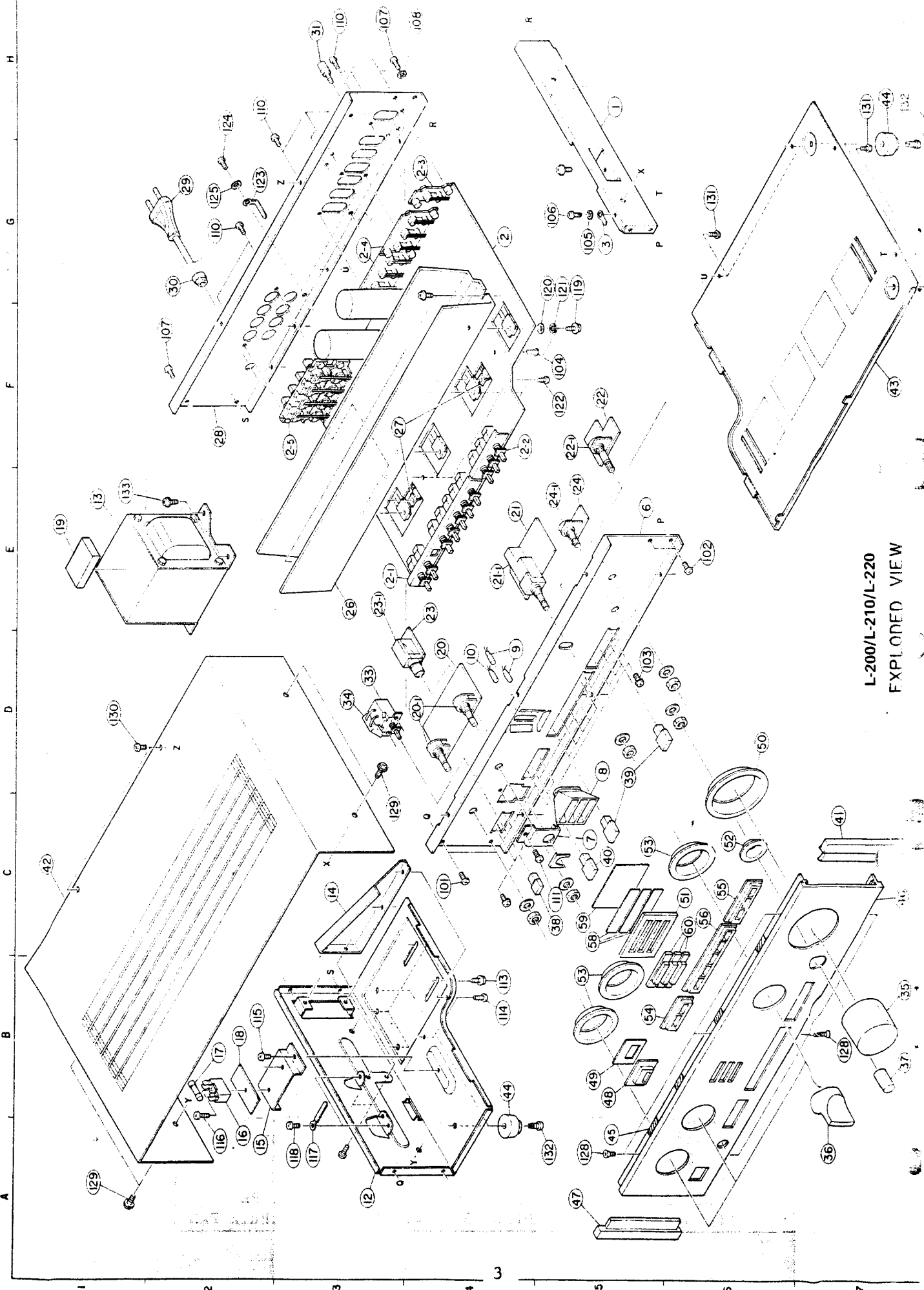
1. Connect a DC Voltmeter in between TP1 and TP2 on L-ch and or TP4 and TP3 on R-ch, Making TP1 and TP4 positive respectively.
2. Adjust the RV101a and RV101b to obtain 15mV+5mA reading on the meter.



## Packing Material Parts List



Symbol No.	Stock No. L200	Stock No. L210	Stock No. L200	Description
201	ME0253-2	ME0253-2	ME0253-2	Owner's Manual
202	56A58581F01	56A58581F01	56A58581F01	Pad,PKG
203	56C56637F01	56C56637F01	56C56637F01	PKG,Tray
204	56B40230G23	56B40230G23	56B40230G23	Sack,Poly
205	56A57423F04	56A57423F04	56A57423F04	Pad,PKG
206	56C53420F35	56C53420F34	56C53420F25	Carton, PKG
207	56C53420F26	56C53420F26	56C53420F26	Carton,Bulk PKG



L-200/L-210/L-220  
EXPLODED VIEW

# Exploded Parts List

Index	Symbol No.	Stock No. L-220	Stock No. L-210	Stock No. L-200	Description
H-5	1	07B50033F01	07B56633F01	07B56633F01	Bkt,R
G-4	2	01V58500F04 01V58200F29	01V58400F20 01V58500F06 01V58800F29 01V59100F96	01V58100F04 01V58400F13	Ass'y,Pre M/A PCB (SK) Ass'y,Pre M/A PCB (EK) Ass'y,Pre M/A PCB (SD) Ass'y,Pre M/A PCB (UP)
E-3	2-1	40T56667F01	40T56667F01	40T56652F01	SW,Push
F-3	2-2	40T56653F01	40T56653F01	40T56653F01	SW,Push SUN33 (SW101-103)
G-4	2-3	09T57203F01	09T57203F01	09T57203F01	Plate,Phone 2P (E101)
G-3	2-4	09T57203F02	09T57203F02	09T57203F02	Plate,Phone 6P (E102,103)
F-3	2-5	09T51101F01	09T51101F01	09T51101F01	Terminal,SP (E104)
G-5	3	29A41814G01	29A41814G01	29A41814G01	Lug
E-5	6	27C56631F01	27C56631F01	27C56631F01	Chassis,Front
C-5	7	07A57048F01	07A57048F01	07A57048F01	Bkt,Phones
D-5	8	43A56651F01 91A57951F01	43A56651F01 91A57951F01	43A56651F01 91A57951F01	Bushing,Rubber Filter 1035
D-4	9	65T56669F01	65T56669F01	65T56669F01	Lamp,Pilot (Aux,Tuner)
D-4	10	65T56669F02	Non Use	Non Use	Lamp,Pilot Grn (Phono)
A-3	12	07C56632F01	07C56632F01	07C56632F01	Bkt,Trans
E-1	13	25T56586F01 25T56587F01	25T56586F01 25T56587F01	25T56586F01 25T56587F01	Trans,Power 210S (SK) (SD) Trans,Power 210E (EK) Trans,Power (UP)
C-3	14	07B57267F01	07B57267F01	07B57267F01	Bkt,Trans
A-2	15	07A56634F01	07A56634F01	07A56634F01	Bkt,Fuse
A-2	16	09T51074F01 09T51828F01	09T51074F01 09T51828F01	09T51074F01 09T51828F01	Holder,Fuse (SK) (SD) Holder,Fuse (EK) (UP)
B-2	17	65T42077U17 65T52486F18	65T42077U17 65T52486F18	65T42077U17 65T52486F18	Fuse,Semko (SK) (SD) Fuse MF61NM 2A (EK) Fuse (UP) Spacer,Fuse (SK) (SD)
B-2	18	43A51453F01	43A51453F01	43A51453F01	Spacer,Fuse
E-1	19	43A51798F02	43A51798F02	43A51798F02	Spacer,1154-2
D-4	20	01V58100F06	01V58100F06	01V58100F06	Ass'y,Tone Cont.PCB
D-4	20-1	18T56663F01	18T56663F01	18T56663F01	VR,Rotary 50KCx2 (RV201,202)
E-4	21	01V58100F95	01V58100F07	01V58100F07	Ass'y,Function SW PCB
E-4	21-1	40T56664F01	40T56664F01	40T56664F01	SW,Rotary SRZ (S301)
F-5	22	01V58100F08	01V58100F08	01V58100F08	Ass'y,VR Cont.PCB
F-5	22-1	18T56666F01	18T56666F01	18T56666F01	VR,Rotary 250KW (RV601)
E-4	23	01V58100F09	01V58100F09	01V58600F19	Ass'y,HD Phone PCB
E-3	23-1	09T56010F01	09T56010F01	09T55174F01	Jack,HD Phone
E-5	24	01V58100F10	01V58100F10	01V58100F10	Ass'y,Balance Cont.PCB
E-5	24-1	18T56665F01	18T56665F01	18T56665F01	VR,Rotary 100KBx2 (RV401)
E-3	26	07C56635F01	07C56635F01	07C56635F01	Heat Sink
F-3	27	07R51146F01	07R51146F01	07R51146F01	Support,Tr.
F-2	28	15C56636F05 15C56636F06	15C56623F02 15C56636F04 15C56636F03	15C56636F01 15C56636F02	Cover,Rear (SK) Cover,Rear (EK) (UP) Cover,Rear (SD) Plug,AC Cord (SK) (EK) (SD) Plug,AC Cord (UP)
G-2	29	28T43812P02	28T43812P02 28T55335F01	28T43812P02	Support,Cord
G-2	30	43B41625J02	43B41625J02	43B41625J02	Terminal,GND
H-3	31	09T51075F01	09T51075F01	09T51075F01	SW,Power SDGA 1P
D-3	33	40T57580F01	40T57580F01	40T57580F01	Cap,MP 0.01
D-3	34	08T57437F09	08T57437F09	08T57437F09	Knob,Rotary VR C
B-7	35	36B56627F01	36B56627F01	36B56627F01	Knob,Rotary VR B
A-7	36	36B56626F01	36B56626F01	36B56626F01	Knob,Rotary VR A
B-7	37	36A56625F01	36A56625F01	36A56625F01	Knob,Push 1171
C-5	38	36A56639F02	36A56639F02	36A56639F02	

Index	Symbol No.	Stock No. L-220	Stock No. L-210	Stock No. L-200	Description	
D-5	39	36A56640F01	36A56640F01	Non Use	Knob, Push 1189	
G-5	40	36A56640F01	36A56640F01	Non Use	Knob, Push 1189	
C-7	41	07B56624F02	07B56624F02	07B56624F02	Frame, Panel-R	
C-1	42	15C56629F01	15C56629F01	15C56629F01	Cover, Top	
F-7	43	15C56630F01	15C56630F01	15C56630F01	Cover, Bottom	
B-4/F-7	44	75A52969F01	75A52969F01	75A52969F01	Pad, Trannleg	
A-5	45	14S53018F42	14S53018F42	14S53018F42	Insulator, 50x5	
C-7	46	64C56623F03	64C56623F02	64C56623F01	Panel, Front	
A-5	47	07B56624F01	07B56624F01	07B56624F01	Frame, Panel Side-L	
B-5	48	61A56641F01	61A56641F01	61A56641F01	Crystal, Indicator	
B-5	49	43A56628F01	43A56628F01	43A56628F01	Spacer, Power	
D-6	50	07B56643F01	07B56643F01	07B56643F01	Frame, Knob 1140	
C-6	51	43A56644F01	43A56644F01	43A56644F01	Spacer, Frame Knob	
C-6	52	07A56645F01	07A56645F01	07A56645F01	Frame, Knob 1156	
B-5/C-5	53	07A56648F01	07A56648F01	07A56648F01	Frame, Knob	
B-5	54	07C56907F01	07A56907F01	Non Use	Frame, Knob 1153	
C-6	55	07B56646F01	07B56646F01	07B56646F01	Frame, Knob 1154	
C-6	56	07C56647F01	07C56647F01	07C56647F01	Frame, Knob 1155	
C-5	58	61A56649F01	61A56649F01	61A56649F01	Filter, Lamp	
C-5	59	43A56650F01	43A56650F01	43A56650F01	Spacer, Lamp	
C-6	60	61A56642F01	61A56642F01	61A56642F01	Crystal, Indicator	
C-4	101	03S44205G01	03S44205G01	03S44205G01	Scr, T-Tite M3x6	
E-6	102	03S44205G01	03S44205G01	03S44205G01	Scr, T-Tite M3x6	
D-5	103	03C40014G04	03C40014G04	03C40014G04	Scr, Mch. M3x6	
F-5	104	03S40036U02	03S40036U02	03S40036U02	Scr, T-Tite M3x8	
G-5	105	04S40072G16	04S40072G16	04S40072G16	Wsr, T.L. M3	
G-5	106	03C42723U01	03C42723U01	03C42723U01	Scr, Cup. M3x6	
F-2/H-3	107	03S44205G02	03S44205G02	03S44205G02	Scr, T-Tite M3x6	
H-4	108	04S40072G16	04S40072G16	04S40072G16	Wsr, T.L. M3	
G-2/H-3	110	03S40012G41	03S40012G41	03S40012G41	Scr, Tpg. M3x8	
C-5	111	03S44205G01	03S44205G01	03S44205G01	Scr, T-Tite M3x6	
E-5	112	03C40014G04	03C40014G04	03C40014G04	Scr, Mch. M3x6	
B-4	113	03S40036U01	03S40036U01	03S40036U01	Scr, T-Tite M4x8	
B-4	114	03S44205G01	03S44205G01	03S44205G01	Scr, T-Tite M3x6	
B-2	115	03S44205G01	03S44205G01	03S44205G01	Scr, T-Tite M3x6	
A-2	116	03S44205G03	03S44205G03	03S44205G03	Scr, T-Tite M3x8	
A-3	117	29C41045P02	29C41045P02	29C41045P02	Lug, W. Around	(EK)
		29C41045P03	29C41045P03	29C41045P03	Lug, W. Around	(SK) (SD)
A-3	118	03S44205G01	03S44205G01	03S44205G01	Scr, T-Tite M3x6	
G-5	119	03S40011G32	03S40011G32	03S40011G32	Scr, Mch M3x12	
G-5	120	04S40070G05	04S40070G05	04S40070G05	Wsr, 3.3x8x0.5	
G-5	121	04S40071G05	04S40071G05	04S40071G05	Wsr, 3.1x5.9x0.7	
F-5	122	03S40012G28	03S40012G28	03S40012G28	Scr, Tpg. M3x8	
G-2	123	29A737272-A	29A737272-A	29A737272-A	Lug, Q. Around	
H-2	124	03S44205G02	03S44205G02	03S44205G02	Scr, T-Tite M3x6	
G-2	125	04S40072G16	04S40072G16	Non Use	Wsr, T.L. M3	
A-5/B-7	128	03S44205G16	03S44205G16	03S44205G16	Scr, T-Tite M3x6	
A-1/C-3	129	03S40036U01	03S40036U01	03S40036U01	Scr, T-Tite M4x8	
D-1	130	03S44205G38	03S44205G38	03S44205G38	Scr, T-Tite M3x6	
G-6/H-7	131	03S44205G02	03S44205G02	03S44205G02	Scr, T-Tite M3x6	
A-5/H-7	132	03S44205G25	03S44205G25	03S44205G25	Scr, T-Tite M4x10	
E-1	133	03S40036U01	03S40036U01	03S40036U01	Scr, T-Tite M4x8	
*** AC outlet						
		09T57066F01	09T57066F01	09T57066F01	Outlet, AC	(EK) (UP)
*** Voltage Selector						
		09T51830F01	09T51830F01	09T51830F01	Plug. SW P-2120	(EK)
		09T51831F01	09T51831F01	09T51831F01	Socket. SW M-1615	(EK)
		03S44205G03	03S44205G03	03S44205G03	Scr, T-Tite M3x8	(EK)

# Pre Main AMP PCB Parts List

Symbol No.	Stock No.	Description
<b>(Switch, Push)</b>		
SW101-103	40T56653F01	SUN33
SW104-108	40T56652F01	SUN53 (L-200)
SW104-110	40T56667F01	SUN73 (L-210/220)
<b>(Terminal)</b>		
E101	09T57203F01	Plate, Phono 2P
E102	09T57203F02	Plate, Phono 6P
E103	09T57203F02	Plate, Phono 6P
E104	09T51101F01	Terminal, SP
<b>(Fuse)</b>		
F101a,b	65T42077U18	Semko T1.6A (SK) (SD)
	65T57086F09	Fuse (EK)
F102a,b	65T42077U18	Semko T1.6A (SK) (SD)
	65T57086F09	Fuse (EK)
<b>(Holder, Fuse)</b>		
F101a,b	09T51410F01	Holder, Fuse
F102a,b	09T51410F01	Holder, Fuse
<b>(Coil)</b>		
L101a,b	24T51105F02	Coil, Choke
<b>(Resistor, Variable)</b>		
RV101a,b	18C42061J28	470-B
<b>(Transistor, FET)</b>		
Q101a,b	48T53430F01	2SA979-G
Q102a,b	48S43525F02	2SC1815Y
Q103a,b	48S43525F02	2SC1815Y
Q104a,b	48S43525F02	2SC1815Y
Q105a,b	48T56658F01	2SC1940 B,V
Q106a,b	48S43525F02	2SC1815Y
Q107a,b	48T51118F01	2SA1015Y
Q108a,b	48T56657F01	2SA899 B,V
Q109a,b	48T56660F03	2SC2824-O,Y
Q110a,b	48T56659F03	2SA1184-O,Y
Q111a,b	48T47682F02	2SC1845 F,A
Q112a,b	48T57130F03	2SC3180-O,R
Q113a,b	48T57129F03	2SA1263-O,R
Q114a,b	48T51539F01	FET, 2SK117Y
Q114	48T57682F02	2SC1845F,A
Q115	48S43525F02	2SC1815Y
<b>(Diode)</b>		
D101	48T52741F54	HZ18-3L Zener
D102	48T52741F54	HZ18-3L Zener
D104a,b	48T51117F01	1S1553
D105a,b	48T51117F01	1S1553
D106a,b	48T51117F01	1S1553
D107a,b	48T51117F01	1S1553
R108a,b	48T40955T01	TLR124 Red LED
D109	48T52741F62	HZ24-2L Zener
D110	48T51117F01	1S1553
D111	48T44992F01	DS135D
D112	48T52741F59	HZ22-2L Zener
D113	48T44992F01	DS135D
D114	48T44992F01	DS135D
D115	48T51115F02	S3V20
D116	48T51115F02	S3V20
D117	48T51115F02	S3V20
D118	48T51115F02	S3V20
<b>(IC)</b>		
IC101	51T52153F01	NJM2043D-D
<b>(Capacitor)</b>		
C101a,b	08T42081U01	100pF Pe (EK) (SK)
	08T42081U13	Pe (L210,SD)
C102a,b	08S40805F11	0.0022uF Ce (L210,SD)
C103a,b	23T51235F24	22uF 16V E1
C104a,b	23T44501P08	3.3uF 25V E1
C105a,b	08S40656F22	0.056uF My

Symbol No.	Stock No.	Description
<b>(Capacitor)</b>		
C106a,b	08S40656F15	0.015uF My
C107	23T51234F54	220uF 25V E1
C108	23T51234F54	220uF 25V E1
C109a,b	08T42081U01	100pF St (L210,SD)
C110a,b	08T42081U01	100pF St (L210,SD)
C111a,b	08T42081U01	100pF St (L210,SD)
C112a,b	08T42081U01	100pF St (L210,SD)
C114a,b	08S40656F22	0.056uF My
C115a,b	08S40656F10	0.0056uF My
C116a,b	08S40656F21	0.047uF My
C117a,b	08T42081U01	100pF Pe
C118a,b	23T44501P08	3.3uF 25V E1
C119a,b	08S40656F06	0.0027uF My
C120a,b	23T51234F48	100uF 50V E1
C121a,b	08C42195G15	33pF 125V Pe
C122a,b	23T51235F43	100uF 10V E1
C123a,b	21S40655F06	5pF Ce
C124a,b	08S40656F05	0.0022uF My
C125a,b	08S40656F05	0.0022uF My
C126a,b	08S40656F01	0.001uF My
C127a,b	08S40656F21	0.047uF My
C128	08S40656F01	0.001uF My
C129	23T51234F48	100uF 50V E1
C130	23T51235F41	47uF 60V E1
C131	23T51235F27	22uF 50V E1
C132	23T51235F39	47uF 25V E1
C133	23T51235F40	47uF 35V E1
C134	23T56654F01	10000uF 50V E1
C135	23T56654F01	10000uF 50V E1
C136	08S44505P61	0.01uF Ce (L210,SD)
C137	08S44505P61	0.01uF Ce (L210,SD)
C138	08S44505P61	0.01uF Ce (L210,SD)
C141	23T51235F16	10uF 16V E1
C142	23T51235F16	10uF 16V E1
C143	23T51235F16	10uF 16V E1
<b>(Resistor)</b>		
R101a,b	06S44593P53	330 1/4W Rd (L210,SD)
R102a,b	06S44594P08	56K 1/4W Rd
R103a,b	06S44594P08	56K 1/4W Rd
R104a,b	06S44593P81	4.7K 1/4W Rd
R105a,b	06S44594P38	1M 1/4W Rd
R106a,b	06S44593P29	33 1/4W Rd
R107a,b	06S44593P37	68 1/4W Rd
R108a,b	06S44593P57	470 1/4W Rd
R109a,b	06S44593P38	1M 1/4W Rd
R110a,b	06S44594P38	1M 1/4W Rd
R111a,b	06S44594P38	1M 1/4W Rd
R112a,b	06S44594P38	1M 1/4W Rd
R113a,b	06S44594P38	1M 1/4W Rd
R114a,b	06S44594P38	1M 1/4W Rd
R115a,b	06S44593P75	2.7K 1/4W Rd
R116a,b	06S44593P75	2.7K 1/4W Rd
R117a,b	06S44593P89	10K 1/4W Rd
R118a	06S40151T36	820K 1/4W Rd
R118b	06S44594P36	820K 1/4W Rd
R119a,b	06S44594P36	820K 1/4W Rd
R121a,b	06S44593P49	220 1/4W Rd
R122	06T55177F75	2.7K 1W Rm
R123a,b	06S44594P22	220K 1/4W Rd
R124a,b	06S44593P53	330K 1/4W Rd
R125a,b	06S44594P08	56K 1/4W Rd
R126a,b	06S44593P87	8.2K 1/4W Rd
R127a,b	06S44593P57	470 1/4W Rd
R128a,b	06S44593P87	8.2K 1/4W Rd

# Pre Main AMP PCB Parts List

Symbol No.	Stock No.	Description
<b>(Switch, Push)</b>		
SW101-103	40T56653F01	SUN33
SW104-108	40T56652F01	SUN53 (L-200)
SW104-110	40T56667F01	SUN73 (L-210/220)
<b>(Terminal)</b>		
E101	09T57203F01	Plate, Phono 2P
E102	09T57203F02	Plate, Phono 6P
E103	09T57203F02	Plate, Phono 6P
E104	09T51101F01	Terminal, SP
<b>(Fuse)</b>		
F101a,b	65T42077U18	Semko T1.6A (SK) (SD)
	65T57086F09	Fuse (EK)
F102a,b	65T42077U18	Semko T1.6A (SK) (SD)
	65T57086F09	Fuse (EK)
<b>(Holder, Fuse)</b>		
F101a,b	09T51410F01	Holder, Fuse
F102a,b	09T51410F01	Holder, Fuse
<b>(Coil)</b>		
L101a,b	24T51105F02	Coil, Choke
<b>(Resistor, Variable)</b>		
RV101a,b	18C42061J28	470-B
<b>(Transistor, FET)</b>		
Q101a,b	48T53430F01	2SA979-G
Q102a,b	48S43525F02	2SC1815Y
Q103a,b	48S43525F02	2SC1815Y
Q104a,b	48S43525F02	2SC1815Y
Q105a,b	48T56658F01	2SC1940 B,V
Q106a,b	48S43525F02	2SC1815Y
Q107a,b	48T51118F01	2SA1015Y
Q108a,b	48T56657F01	2SA899 B,V
Q109a,b	48T56660F03	2SC2824-O,Y
Q110a,b	48T56659F03	2SA1184-O,Y
Q111a,b	48T47682F02	2SC1845 F,A
Q112a,b	48T57130F03	2SC3180-O,R
Q113a,b	48T57129F03	2SA1263-O,R
Q114a,b	48T51539F01	FET, 2SK117Y
Q114	48T57682F02	2SC1845F,A
Q115	48S43525F02	2SC1815Y
<b>(Diode)</b>		
D101	48T52741F54	HZ18-3L Zener
D102	48T52741F54	HZ18-3L Zener
D104a,b	48T51117F01	1S1553
D105a,b	48T51117F01	1S1553
D106a,b	48T51117F01	1S1553
D107a,b	48T51117F01	1S1553
D108a,b	48T40955T01	TLR124 Red LED
D109	48T52741F62	HZ24-2L Zener
D110	48T51117F01	1S1553
D111	48T44992F01	DS135D
D112	48T52741F59	HZ22-2L Zener
D113	48T44992F01	DS135D
D114	48T44992F01	DS135D
D115	48T51115F02	S3V20
D116	48T51115F02	S3V20
D117	48T51115F02	S3V20
D118	48T51115F02	S3V20
<b>(IC)</b>		
IC101	51T52153F01	NJM2043D-D
<b>(Capacitor)</b>		
C101a,b	08T42081U01	100pF Pe (EK) (SK)
	08T42081U13	Pe (L210, SD)
C102a,b	08S40805F11	0.0022uF Ce (L210, SD)
C103a,b	23T51235F24	22uF 16V E1
C104a,b	23T44501P08	3.3uF 25V E1
C105a,b	08S40656F22	0.056uF My

Symbol No.	Stock No.	Description
<b>(Capacitor)</b>		
C106a,b	08S40656F15	0.015uF My
C107	23T51234F54	220uF 25V E1
C108	23T51234F54	220uF 25V E1
C109a,b	08T42081U01	100pF St (L210, SD)
C110a,b	08T42081U01	100pF St (L210, SD)
C111a,b	08T42081U01	100pF St (L210, SD)
C112a,b	08T42081U01	100pF St (L210, SD)
C114a,b	08S40656F22	0.056uF My
C115a,b	08S40656F10	0.0056uF My
C116a,b	08S40656F21	0.047uF My
C117a,b	08T42081U01	100uF Pe
C118a,b	23T44501P08	3.3uF 25V E1
C119a,b	08S40656F06	0.0027uF My
C120a,b	23T51234F48	100uF 50V E1
C121a,b	08C42195G15	33pF 125V Pe
C122a,b	23T51235F43	100uF 10V E1
C123a,b	21S40655F06	5pF Ce
C124a,b	08S40656F05	0.0022uF My
C125a,b	08S40656F05	0.0022uF My
C126a,b	08S40656F01	0.001uF My
C127a,b	08S40656F21	0.047uF My
C128	08S40656F01	0.001uF My
C129	23T51234F48	100uF 50V E1
C130	23T51235F41	47uF 60V E1
C131	23T51235F27	22uF 50V E1
C132	23T51235F39	47uF 25V E1
C133	23T51235F40	47uF 35V E1
C134	23T56654F01	10000uF 50V E1
C135	23T56654F01	10000uF 50V E1
C136	08S44505P61	0.01uF Ce (L210, SD)
C137	08S44505P61	0.01uF Ce (L210, SD)
C138	08S44505P61	0.01uF Ce (L210, SD)
C141	23T51235F16	10uF 16V E1
C142	23T51235F16	10uF 16V E1
C143	23T51235F16	10uF 16V E1
<b>(Resistor)</b>		
R101a,b	06S44593P53	330 1/4W Rd (L210, SD)
R102a,b	06S44594P08	56K 1/4W Rd
R103a,b	06S44594P08	56K 1/4W Rd
R104a,b	06S44593P81	4.7K 1/4W Rd
R105a,b	06S44594P38	1M 1/4W Rd
R106a,b	06S44593P29	33 1/4W Rd
R107a,b	06S44593P37	68 1/4W Rd
R108a,b	06S44593P57	470 1/4W Rd
R109a,b	06S44593P38	1M 1/4W Rd
R110a,b	06S44594P38	1M 1/4W Rd
R111a,b	06S44594P38	1M 1/4W Rd
R112a,b	06S44594P38	1M 1/4W Rd
R113a,b	06S44594P38	1M 1/4W Rd
R114a,b	06S44594P38	1M 1/4W Rd
R115a,b	06S44593P75	2.7K 1/4W Rd
R116a,b	06S44593P75	2.7K 1/4W Rd
R117a,b	06S44593P89	10K 1/4W Rd
R118a	06S40151T36	820K 1/4W Rd
R118b	06S44594P36	820K 1/4W Rd
R119a,b	06S44594P36	820K 1/4W Rd
R121a,b	06S44593P49	220 1/4W Rd
R122	06T55177F75	2.7K 1W Rm
R123a,b	06S44594P22	220K 1/4W Rd
R124a,b	06S44593P53	330K 1/4W Rd
R125a,b	06S44594P08	56K 1/4W Rd
R126a,b	06S44593P87	8.2K 1/4W Rd
R127a,b	06S44593P57	470 1/4W Rd
R128a,b	06S44593P87	8.2K 1/4W Rd



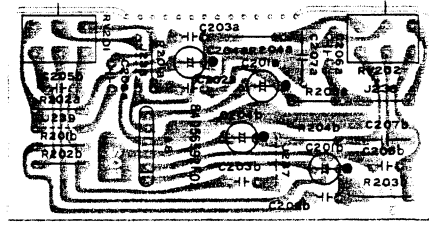
L-200/L-210/L-220

Symbol No.	Stock No.	Description
<b>(Resistor)</b>		
R129a,b	06S44594P06	47K 1/4W Rd
R130a,b	06S44593P99	27K 1/4W Rd
R131a,b	06S44593P99	27K 1/4W Rd
R132a,b	06T55175F47	180 1/2W Rm
R133a,b	06T55175F17	10 1/2W Rm
R134a,b	06T55175F27	27 1/2W Rm
R135a,b	06S44593P73	2.2K 1/4W Rd
R136a,b	06S44593P61	680 1/4W Rd
R137a,b	06T55177F55	390 1W Rm
R138a,b	06T51107F01	0.22 5Wx2 Rc
R139a,b	06S44593P69	1.5K 1/4W Rd
R140a,b	06S44593P73	2.2K 1/4W Rd
R141a,b	06S44593P73	2.2K 1/4W Rd
R142a,b	06S44593P69	1.5K 1/4W Rd
R143a,b	06T55175F17	10 1/2W Rm

Symbol No.	Stock No.	Description
R144a,b	06T55177F17	10 1W Rm
R145a,b	06T55179F57	470 2W Rm
R146	06S44593P85	6.8K 1/4W Rd
R147	06S44593P33	47 1/4W Rd
R148	06S44593P93	15K 1/4W Rd
R149	06S44594P18	150K 1/4W Rd
R150	06S44594P08	56K 1/4W Rd
R151	06S44594P08	56K 1/4W Rd
R153	06T56661F51	270 3W
R154	06T55179F75	2.7K 2W Rd
R155	06T55179F75	2.7K 2W Rd
R160a,b	06S44593P45	150 1/4W Rd (L210,SD)
R161a,b	06S44593P45	150 1/4W Rd (L210,SD)
R162a,b	06S44593P45	150 1/4W Rd (L210,SD)
R163a,b	06S44593P45	150 1/4W Rd (L210,SD)

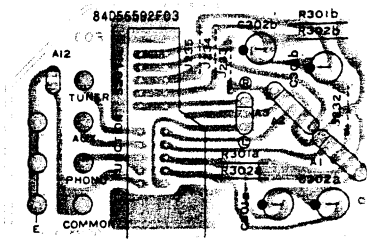
### Tone Control PCB Parts List

Symbol No.	Stock No.	Description
<b>(Variable Resistor)</b>		
RV201	18T56663F01	Rotary 50KCx2
RV202	18T56663F01	Rotary 50KCx2
<b>(Capacitor)</b>		
C201a,b	23T51235F11	47uF 25V E1
C202a,b	08S40656F11	0.0068uF My
C203a,b	08S40656F20	0.039uF My
C204a,b	23T51235F24	22uF 16V E1
C205a,b	21S40655F31	560pF Ce
C206a,b	08S40656F22	0.056uF My
C207a,b	08S44503P30	0.27uF 50V My
<b>(Resistor)</b>		
R201a,b	06S44593P71	1.8K 1/4W Rd
R202a,b	06S44593P53	330 1/4W Rd
R203a,b	06S44593P87	8.2K 1/4W Rd
R204a,b	06S44593P69	1.5K 1/4W Rd



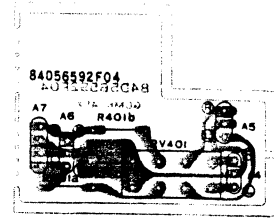
### Function SW PCB Parts List

Symbol No.	Stock No.	Description
<b>(Switch)</b>		
S301	40T56664F01	Rotary SRZ
<b>(Capacitor)</b>		
C301a,b	23T44501P06	2.2uF 35V E1
C302a,b	23T44501P03	0.33uF 50V E1
<b>(Resistor)</b>		
R301a,b	06S44594P30	470K 1/4W Rd
R302a,b	06S44594P30	470K 1/4W Rd



## VR Control PCB Parts List

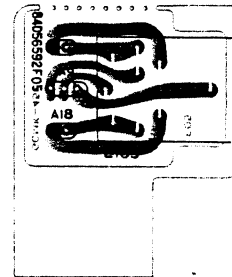
Symbol No.	Stock No.	Description
(Variable Resistor)		
RV401	18T56665F01	Rotary 100KBx2
(Resistor)		
R401a,b	06S44593P57	470 1/4W Rd



L-200/L-210/L-220

## HD Phone PCB Parts List

Symbol No.	Stock No.	Description
(Jack)		
E105	09T55174F01	Head,Phone (L200)
	09T56010F01	Head,Phone (L220 & L210)

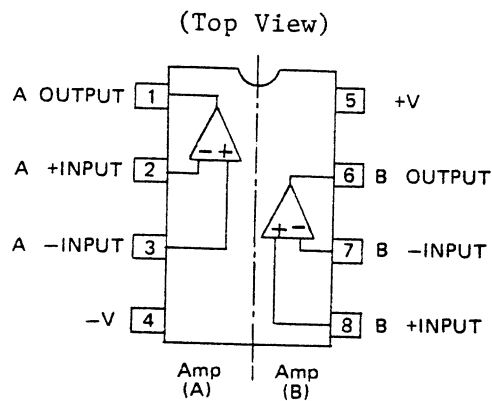
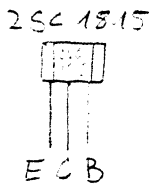


## Balance Control PCB Parts List

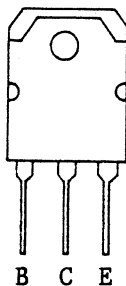
Symbol No.	Stock No.	Description
(Variable Resistor)		
RV601	18T56666F01	Rotary 250KW



## IC Handling Guide (NJM2043D-D)

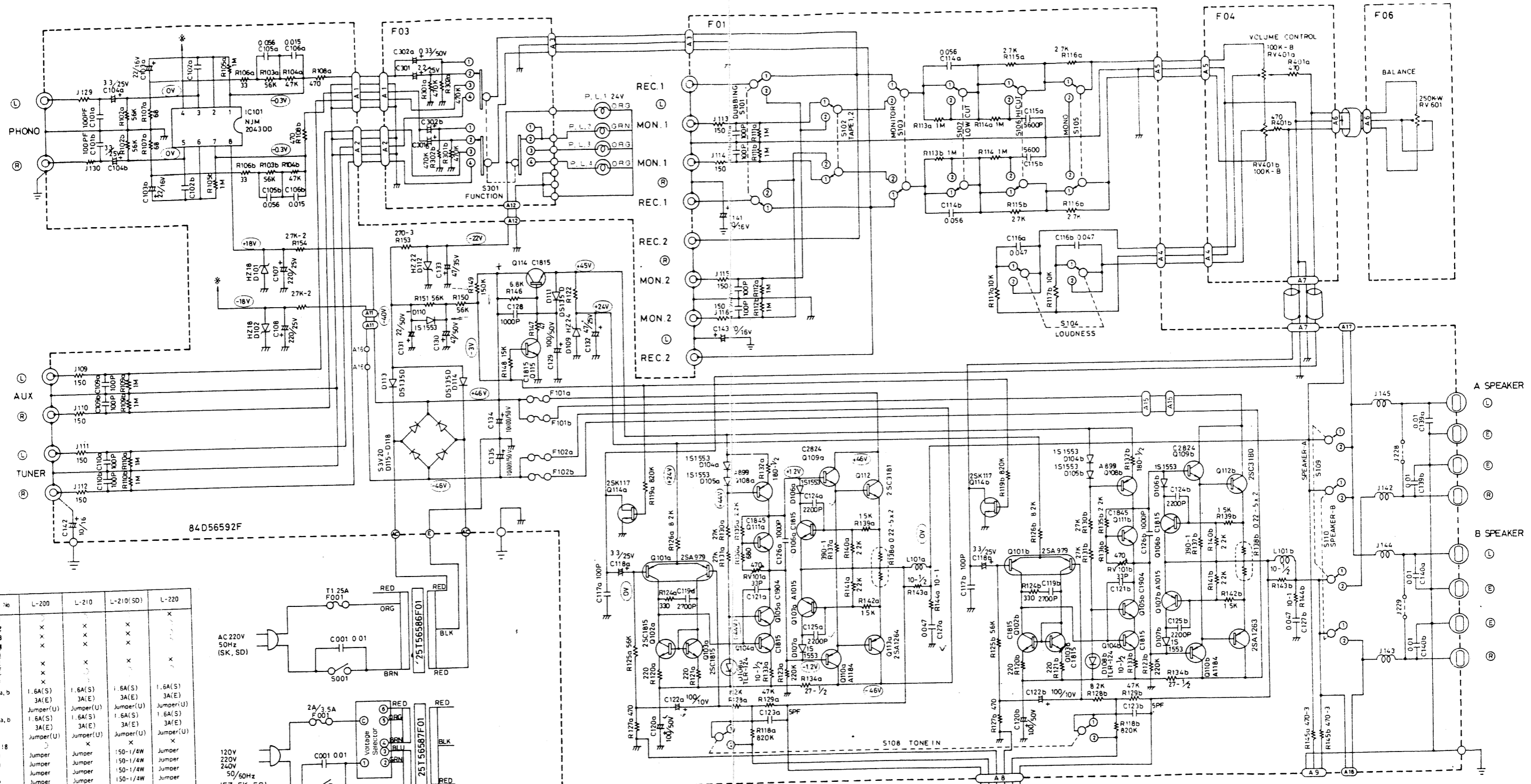


Power Transistor  
2SA1263 & 2SC3180 (Complementary Pair)

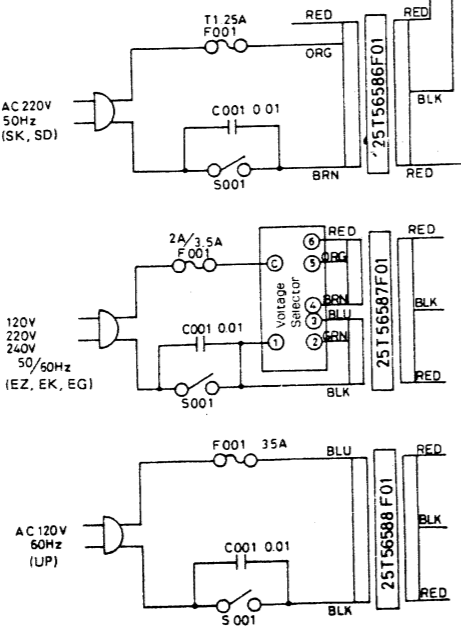


Type	MAX. RATING			CHARACTERISTICS			
	Pc	Vceo	Ic	hFE		I	Vce
2SA1263	60W	-80V	-6A	min	max	-1A	-5V
2SC3180	60W	80V	6A	55	110	1A	5V

(Tc=25°C)

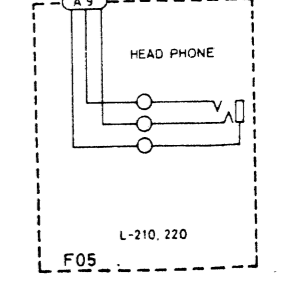
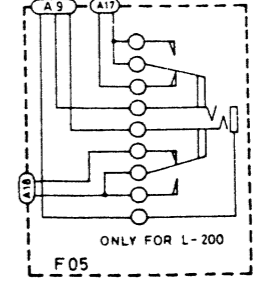
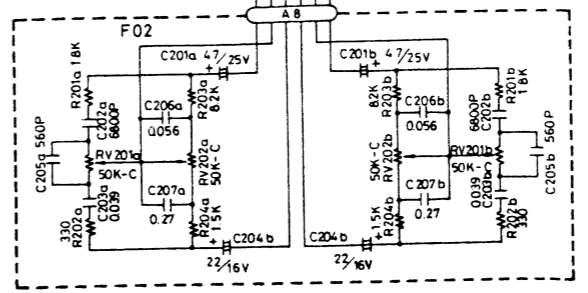


Symbol No	L-200	L-210	L-210(SD)	L-220
P.L. 1				X
P.L. 2	X	X	X	X
P.L. 3	X	X	X	X
P.L. 4	X	X	X	X
F05	X	X	X	X
F07	X	X	X	X
S109	X	X	X	X
S110	X	X	X	X
F101a, b	X	X	X	X
F102a, b	X	X	X	X
A17, 18	X	X	X	X
J109	Jumper	Jumper	150-1/4W	Jumper
J110	Jumper	Jumper	150-1/4W	Jumper
J111	Jumper	Jumper	150-1/4W	Jumper
J112	Jumper	Jumper	150-1/4W	Jumper
J113	Jumper	Jumper	150-1/4W	Jumper
J114	Jumper	Jumper	150-1/4W	Jumper
J115	Jumper	Jumper	150-1/4W	Jumper
J116	Jumper	Jumper	330-1/4W	Jumper
J117	Jumper	Jumper	330-1/4W	Jumper
J118	Jumper	Jumper	330-1/4W	Jumper
J119	Jumper	Jumper	Coil	Jumper
J120	Jumper	Jumper	Coil	Jumper
J121	Jumper	Jumper	Coil	Jumper
J122	Jumper	Jumper	Coil	Jumper
J123	Jumper	Jumper	X	X
J124	Jumper	Jumper	X	X
J125	Jumper	Jumper	X	X
J126	Jumper	Jumper	X	X
J127	Jumper	Jumper	X	X
J128	Jumper	Jumper	X	X
J129	Jumper	Jumper	X	X
J130	Jumper	Jumper	X	X
J131	Jumper	Jumper	X	X
J132	Jumper	Jumper	X	X
J133	Jumper	Jumper	X	X
J134	Jumper	Jumper	X	X
J135	Jumper	Jumper	X	X
J136	Jumper	Jumper	X	X
J137	Jumper	Jumper	X	X
J138	Jumper	Jumper	X	X
J139	Jumper	Jumper	X	X
J140	Jumper	Jumper	X	X
J141	Jumper	Jumper	X	X
J142	Jumper	Jumper	X	X
J143	Jumper	Jumper	X	X
J144	Jumper	Jumper	X	X
J145	Jumper	Jumper	X	X
J146	Jumper	Jumper	X	X
J147	Jumper	Jumper	X	X
J148	Jumper	Jumper	X	X
J149	Jumper	Jumper	X	X
J150	Jumper	Jumper	X	X
J151	Jumper	Jumper	X	X
J152	Jumper	Jumper	X	X
J153	Jumper	Jumper	X	X
J154	Jumper	Jumper	X	X
J155	Jumper	Jumper	X	X
J156	Jumper	Jumper	X	X
J157	Jumper	Jumper	X	X
J158	Jumper	Jumper	X	X
J159	Jumper	Jumper	X	X
J160	Jumper	Jumper	X	X
J161	Jumper	Jumper	X	X
J162	Jumper	Jumper	X	X
J163	Jumper	Jumper	X	X
J164	Jumper	Jumper	X	X
J165	Jumper	Jumper	X	X
J166	Jumper	Jumper	X	X
J167	Jumper	Jumper	X	X
J168	Jumper	Jumper	X	X
J169	Jumper	Jumper	X	X
J170	Jumper	Jumper	X	X
J171	Jumper	Jumper	X	X
J172	Jumper	Jumper	X	X
J173	Jumper	Jumper	X	X
J174	Jumper	Jumper	X	X
J175	Jumper	Jumper	X	X
J176	Jumper	Jumper	X	X
J177	Jumper	Jumper	X	X
J178	Jumper	Jumper	X	X
J179	Jumper	Jumper	X	X
J180	Jumper	Jumper	X	X
J181	Jumper	Jumper	X	X
J182	Jumper	Jumper	X	X
J183	Jumper	Jumper	X	X
J184	Jumper	Jumper	X	X
J185	Jumper	Jumper	X	X
J186	Jumper	Jumper	X	X
J187	Jumper	Jumper	X	X
J188	Jumper	Jumper	X	X
J189	Jumper	Jumper	X	X
J190	Jumper	Jumper	X	X
J191	Jumper	Jumper	X	X
J192	Jumper	Jumper	X	X
J193	Jumper	Jumper	X	X
J194	Jumper	Jumper	X	X
J195	Jumper	Jumper	X	X
J196	Jumper	Jumper	X	X
J197	Jumper	Jumper	X	X
J198	Jumper	Jumper	X	X
J199	Jumper	Jumper	X	X
J200	Jumper	Jumper	X	X
J201	Jumper	Jumper	X	X
J202	Jumper	Jumper	X	X
J203	Jumper	Jumper	X	X
J204	Jumper	Jumper	X	X
J205	Jumper	Jumper	X	X
J206	Jumper	Jumper	X	X
J207	Jumper	Jumper	X	X
J208	Jumper	Jumper	X	X
J209	Jumper	Jumper	X	X
J210	Jumper	Jumper	X	X
J211	Jumper	Jumper	X	X
J212	Jumper	Jumper	X	X
J213	Jumper	Jumper	X	X
J214	Jumper	Jumper	X	X
J215	Jumper	Jumper	X	X
J216	Jumper	Jumper	X	X
J217	Jumper	Jumper	X	X
J218	Jumper	Jumper	X	X
J219	Jumper	Jumper	X	X
J220	Jumper	Jumper	X	X
J221	Jumper	Jumper	X	X
J222	Jumper	Jumper	X	X
J223	Jumper	Jumper	X	X
J224	Jumper	Jumper	X	X
J225	Jumper	Jumper	X	X
J226	Jumper	Jumper	X	X
J227	Jumper	Jumper	X	X
J228	Jumper	Jumper	X	X
J229	Jumper	Jumper	X	X
J230	Jumper	Jumper	X	X
J231	Jumper	Jumper	X	X
J232	Jumper	Jumper	X	X
J233	Jumper	Jumper	X	X
J234	Jumper	Jumper	X	X
J235	Jumper	Jumper	X	X
J236	Jumper	Jumper	X	X
J237	Jumper	Jumper	X	X
J238	Jumper	Jumper	X	X
J239	Jumper	Jumper	X	X
J240	Jumper	Jumper	X	X
J241	Jumper	Jumper	X	X
J242	Jumper	Jumper	X	X
J243	Jumper	Jumper	X	X
J244	Jumper	Jumper	X	X
J245	Jumper	Jumper	X	X
J246	Jumper	Jumper	X	X
J247	Jumper	Jumper	X	X
J248	Jumper	Jumper	X	X
J249	Jumper	Jumper	X	X
J250	Jumper	Jumper	X	X
J251	Jumper	Jumper	X	X
J252	Jumper	Jumper	X	X
J253	Jumper	Jumper	X	X
J254	Jumper	Jumper	X	X
J255	Jumper	Jumper	X	X
J256	Jumper	Jumper	X	X
J257	Jumper	Jumper	X	X
J258	Jumper	Jumper	X	X
J259	Jumper	Jumper	X	X
J260	Jumper	Jumper	X	X
J261	Jumper	Jumper	X	X
J262	Jumper	Jumper	X	X
J263	Jumper	Jumper	X	X
J264	Jumper	Jumper	X	X
J265	Jumper	Jumper	X	X
J266	Jumper	Jumper	X	X
J267	Jumper	Jumper	X	X
J268	Jumper	Jumper	X	X
J269	Jumper	Jumper	X	X
J270	Jumper	Jumper	X	X
J271	Jumper	Jumper	X	X
J272	Jumper	Jumper	X	X
J273	Jumper	Jumper	X	X
J274	Jumper	Jumper	X	X
J275	Jumper	Jumper	X	X
J276	Jumper	Jumper	X	X
J277	Jumper	Jumper	X	X
J278	Jumper	Jumper	X	X
J279	Jumper	Jumper	X	X
J280	Jumper	Jumper	X	X
J281	Jumper	Jumper	X	X
J282	Jumper	Jumper	X	X
J283	Jumper	Jumper	X	X
J284	Jumper	Jumper	X	X
J285	Jumper	Jumper	X	X
J286	Jumper	Jumper	X	X
J287	Jumper	Jumper	X	X
J288	Jumper	Jumper	X	X
J289	Jumper	Jumper	X	X
J290	Jumper	Jumper	X	X
J291	Jumper	Jumper	X	X
J292	Jumper	Jumper	X	X
J293	Jumper	Jumper	X	X
J294	Jumper	Jumper	X	X
J295	Jumper	Jumper	X	X
J296	Jumper	Jumper	X	X
J297	Jumper	Jumper	X	X
J298	Jumper	Jumper	X	X
J299	Jumper	Jumper	X	X
J300	Jumper	Jumper	X	X



**Remarks**  
 1. Unless otherwise specified, all resistors are in OHM 1/4 watt, all capacitors in micro farad.  
 2. Transistors and diodes may be replaced with any type having comparable ratings.  
 3. Due to continued improvements LUX reserve the circuit or specifications.

**L-200/210/220**



## Specifications

Power Output:	50Wx2 (L-220)
8ohms, 1KHz	45Wx2 (L-210)
	40Wx2 (L-200)
Distortion:	0.02%
Input Sensitivity:	
Phono (MM)	1.8mV
Tuner	160mV
Aux/DAD	160mV
Monitor	160mV
Input Impedance:	
Phono (MM)	50Kohms
Tuner	40Kohms
Aux/DAD	40Kohms
Monitor	40Kohms
S/N Ratio:	
Phono (MM)	90dB
(IHF-A weighted, 5mV)	
Tuner	107dB
(IHF-A weighted)	
Aux/DAD	107dB
(IHF-A weighted)	
Residual Noise:	0.5mV
Filter:	
High cut	7kHz (-6dB/oct.)
Low cut	70Hz (-6dB/oct.)
Phono-Subsonic	15Hz (-6dB/oct.)
Phono (MM) Overload:	130mV
Frequency Response:	
Phono (MM)	20Hz-20kHz (within $\pm 0.5$ dB)
Tuner	10Hz-100kHz (within $\pm 0, -1.5$ dB)
Aux/DAD	10Hz-100kHz (within $\pm 0, -1.5$ dB)
Monitor	10Hz-100kHz (within $\pm 0, -1.5$ dB)
Tone Control:	
Treble	$\pm 8$ dB at 10kHz
Bass	$\pm 8$ dB at 100Hz
Loudness:	
Volume-30dB	$\pm 8$ dB at 100Hz
Dimensions:	453(W) x 317(D) x 111(H)mm (17.8"x12.5"x4.4")
Weight:	
Net	6.7kgs
Gross	8.0kgs
Power Consumption:	120V 2A (CSA rated)

Specifications and appearance design subject to without notice.